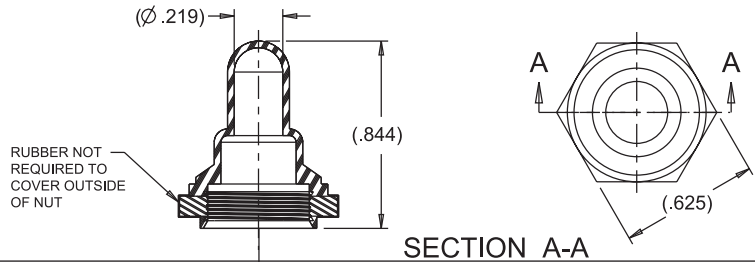


PUSHBUTTON BOOTS, TOGGLE BOOTS AND HEX NUTS

C740191

T9 Toggle Boot with 15/32" Thread

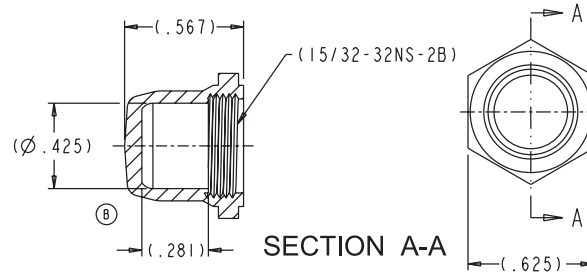
Boot: Black Silicone Rubber
Nut: Brass, Nickel Plated



C740144

P4-4 Switch Boot with Threaded Insert

Boot: Black Silicone Rubber
Insert: Brass, Nickel Plated



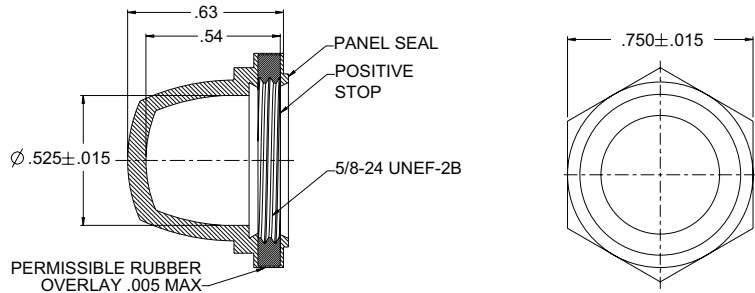
C700179

P3-6 Switch Boot

MIL-DTL-5423/7 Type B, Style 2, Size 4

Material: Silicone Rubber

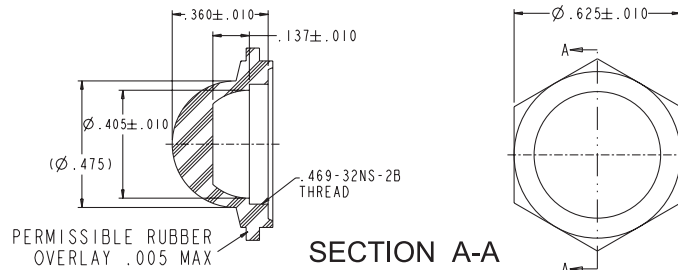
700179-2S = Black
700179-4S = Yellow
700179-8S = Gray



C701211

P7-6 Pushbutton Boot Hex Nut

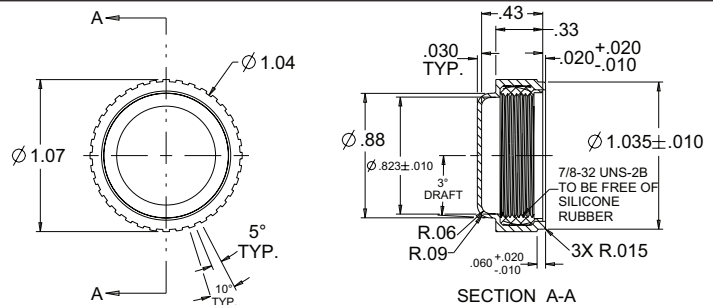
Material: Black Neoprene
Thread: 15/32"



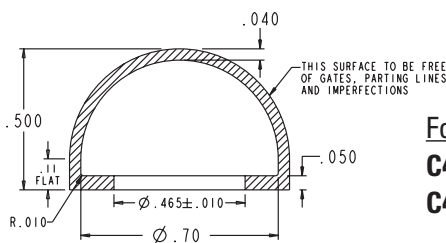
C913786

Boot with Hard Stop Feature
for Custom P3's and P8's that have
Switch Buttons less than .78" Diameter

Boot: Clear Silicone Rubber
Insert: Clear Anodized Aluminum Threaded



P7/P9 Sealing Boots



For Raised Dome
C402611-1 Clear
C402611-2 Black

For Flush Dome
C402599-1 Clear
C402599-2 Black

