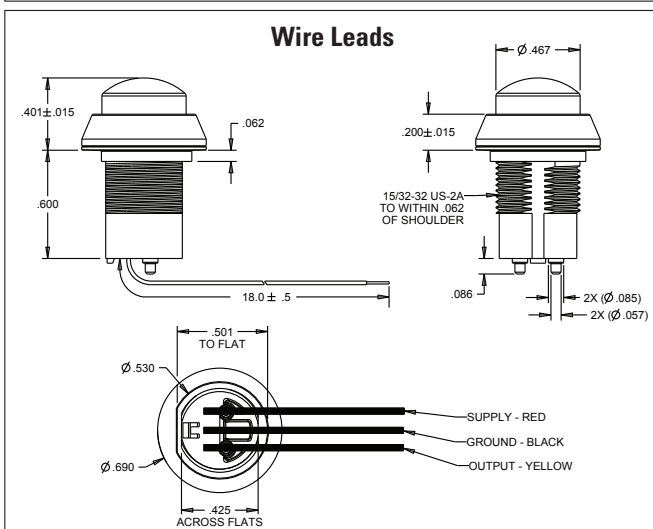
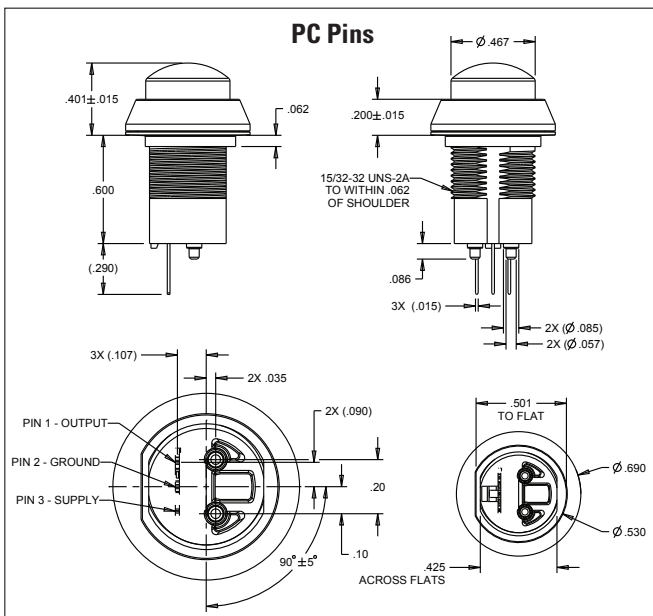


10 MILLION CYCLES, CONTACTLESS HALL EFFECT TECHNOLOGY

The HP7C Hall effect momentary action pushbutton series shares similar characteristics to the HP7 series but is a lower cost version made with a thermoplastic case and a nylon button. With a 10 million cycle life, the HP7C works well in industrial joystick controls, remote controls and other applications requiring high reliability and high rates of actuation. PC pins or wire leads are standard with value-added connectors available to specification.

## Features:

- 10 million cycles
- Hall effect technology for long life
- Stylish dome-shaped buttons in 9 colors
- Momentary action
- PC pin or wire lead termination styles
- RoHS/WEEE/Reach compliant



Standard Characteristics/Ratings:			
<b>MECHANICAL:</b>			
Mechanical Life:	10,000,000 cycles		
Button Travel:	0.080 inches max		
Overtravel:	0.010 inches min		
Operating Force:	12 oz +/- 4 oz		
Operating Point:	0.040 inches +/- 0.012		
Electrical Life:	10,000,000 cycles		
<b>ELECTRICAL RATINGS: Rated at Vcc = 5V @ 25°C Load = 1mA (4.7KΩ)</b>			
Electrical	Units	Min	Max
Supply Voltage	VDC	4.5	24.0
Reverse Output Voltage	VDC	N/A	0.5
Supply Current (B=0, Vcc=5V, Io=0)	mA	2.3	4.2
Continuous Output Current	mA	N/A	20.0
Reverse Battery Protection	VDC		-15.0
<b>ENVIRONMENTAL:</b>			
Operating Temp Range:	-40°C to +85°C		
Storage Temp Range:	-40°C to +105°C		
Electronic Enclosure Design:	IP68S		
<b>MATERIALS:</b>			
Button:	Nylon		
Case & Bezel:	Thermoplastic		
Mounting Hardware:	Hex nut & lockwasher		

## HP7C PART NUMBER CODE

