

# ILLUMINATED PANEL PLUG INDICATORS

SNAP-IN PANEL MOUNTING, ATTRACTIVE & RUGGED FOR WET & DUSTY ENVIRONMENTS

Sealed to IP68S, the K3P series of panel plugs with LED indicator lights provides reliable visual feedback to control operators. The K3P panel plugs and OTTO's K3 rocker switches share the same panel cutout size and snap-in front panel mounting method. This allows you to create a uniform panel appearance in your applications. Choose up to 70 different standard legends, 6 lens colors, 5 legend colors and 4 LED colors with 4 voltage options.



Standard Characteristics/Ratings:	
Seal:	IP68S
Operating Temp Range:	-40°C to +85°C
<b>MATERIALS:</b>	
Case and Base:	Black Thermoplastic
Button:	Black Thermoplastic
Terminals:	Brass

## K3P PART NUMBER CODE

<b>K3P</b>	-	<b>X</b>	<b>X</b>	<b>X</b>	<b>X</b>	<b>X</b>
<b>Light Source Position "A"</b>		<b>Light Source Position "C"</b>		<b>Lens Color Position "A"</b>		<b>Lens Color Position "C"</b>
1. Red 2. Green 3. Amber 4. Blue Z. No Illumination		1. Red 2. Green 3. Amber 4. Blue Z. No Illumination		1. Transparent Red 2. Transparent Green 3. Transparent Amber 4. Clear 5. Transparent White 6. Transparent Blue Z. No Lens		1. Transparent Red 2. Transparent Green 3. Transparent Amber 4. Clear 5. Transparent White 6. Transparent Blue Z. No Lens

**STOP HERE** for lighted indicator without legends.

For legends, continue with part number code below.

\*See page 168 or appendix for complete voltage/current ratings table.

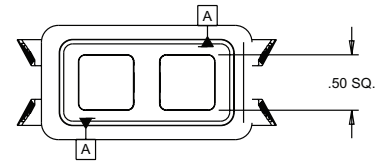
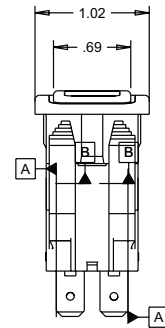
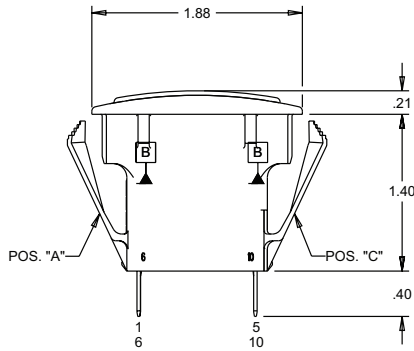
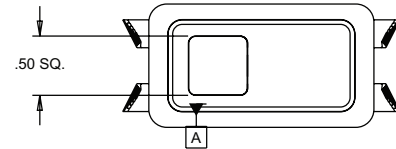
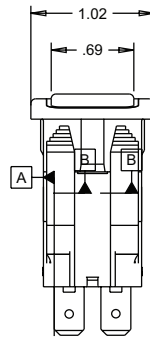
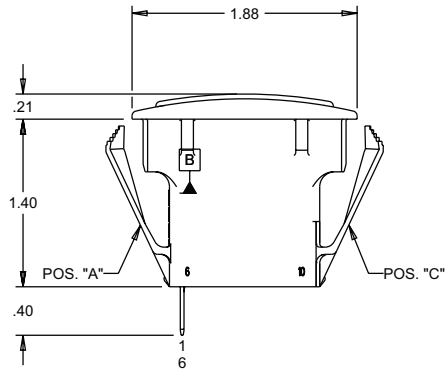
## K3P PART NUMBER CODE - CONTINUED FOR LIGHTED INDICATORS WITH LEGENDS

-	<b>XX</b>	<b>XX</b>	<b>X</b>	<b>X</b>	<b>X</b>								
	<b>Legend Style</b>		<b>Legend Color</b>		<b>Legend Orientation</b>								
	<b>Position "A"</b> ZZ. No Legend	<b>Position "C"</b> ZZ. No Legend	<b>Position "A"</b>	<b>Position "C"</b>	<b>Position "A"</b>								
			1. Red 2. Black 9. White B. Backlight/Daylight White ① D. Backlight/Deadfront ① Z. No Legend	1. Red 2. Black 9. White B. Backlight/Daylight White ① D. Backlight/Deadfront ① Z. No Legend	1. Std. 2. 90° 3. 180° 4. 270°								
					<table border="1"> <tr> <td>A</td> <td>C</td> </tr> <tr> <td>A</td> <td>C</td> </tr> <tr> <td>A</td> <td>C</td> </tr> <tr> <td>A</td> <td>C</td> </tr> </table>	A	C	A	C	A	C	A	C
A	C												
A	C												
A	C												
A	C												

① Legend colors "B" and "D" use lens color "Z" for each position.

# PANEL PLUG WITH INDICATOR LIGHTS

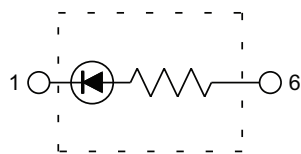
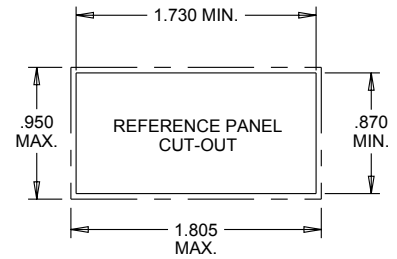
SNAP-IN PANEL MOUNTING, ATTRACTIVE & RUGGED FOR WET & DUSTY ENVIRONMENTS



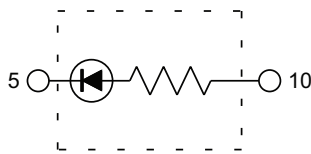
**MOUNTING OPENING:**  
 PANEL THICKNESS RANGE OF .025 - .105 PANEL SEAL  
 GASKET P/N 807037 IS RECOMMENDED

PANEL THICKNESS RANGE OF .105 - .187 W/O GASKET

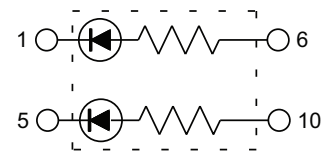
PANEL OPENING:	MIN.	TYP.	MAX.
WIDTH	.870	.937	.950
LENGTH	1.730	1.768	1.805



**IND. LIGHT IN "A"  
 SCHEMATIC**



**IND. LIGHT IN "C"  
 SCHEMATIC**



**DUAL IND. LIGHT  
 SCHEMATIC**