

LOW LEVEL MOMENTARY ACTION COMMERCIAL GRADE LED ILLUMINATED & WATERTIGHT SEALED

The OTTO LP9L Lighted Dome series is a quality precision switch designed for use in panels, control grips, instruments and other demanding applications where attractive, rugged, lighted low level pushbutton switches are required.

The LP9L series offers a positive tactile feedback, signaling the operator when the switch is operated with the added benefit of reliable LED illumination. The LP9L series offers four button versions; flush and raised profile with either a glossy or matte finish. Featuring short behind panel depth, it comes with either a snap-in case or a threaded case for hex nut mounting .

The LP9L series is constructed to meet IP68S watertight seal. Expect 1,000,000 operations at 50mA resistive.

The LP9L series are momentary snap-action double break switches, available in standard and low operate forces. The LED is available in five colors and has the ability to accommodate 2 or 12VDC.

## Features:

- Low level switch
- Watertight to IP68S
- LED lighted with the ability to accommodate 2 or 12VDC
- LED available in 6 colors
- Flush & raised button style
- Matte or glossy button finish
- Positive tactile feedback contact transfer
- Withstands extreme shock & vibration
- Short behind panel depth
- RoHS/WEEE/Reach compliant

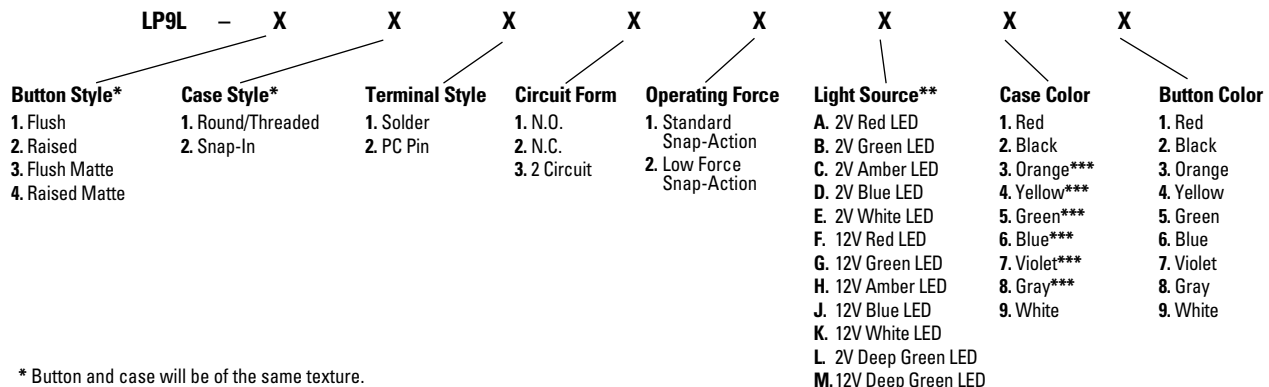


Raised Dome

Also available with  
Flush Dome

| Standard Characteristics/Ratings: |                                       |   |  |
|-----------------------------------|---------------------------------------|---|--|
| <b>ELECTRICAL RATINGS:</b>        |                                       | Sea Level @ 28VDC or 115VAC, 60/400Hz                           |  |
| <b>Load</b>                       |                                       |   |  |
| Resistive:                        | 50mA                                  |   |  |
| DWV:                              | 1050Vrms through switch contacts only |   |  |
| <b>Electrical Life:</b>           |                                       | 1,000,000 cycles  |  |
| <b>LIGHTING:</b>                  |                                       |   |  |
| <b>Light Source Voltage (DC)</b>  | <b>Actual Voltage Nominal (DC)</b>    | <b>Voltage Max (DC)</b>   |  |
| 2                                 | 2                                     | 2.6   |  |
| 12                                | 13.5                                  | 14.5  |  |
| <b>Mechanical Life:</b>           |                                       | 1,000,000 cycles  |  |
| <b>Seal:</b>                      |                                       | IP68S   |  |
| <b>Operating Temp Range:</b>      |                                       | -40°C to +85°C  |  |
| <b>Operating Force:</b>           |                                       | 1.7 +/- 0.5 lb. (standard force)<br>.75 +/- .25 lb. (low force) |  |
| <b>Total Travel:</b>              |                                       | 0.080 inches max  |  |
| <b>Overtravel:</b>                |                                       | 0.010 inches min  |  |
| <b>MATERIALS:</b>                 |                                       |   |  |
| <b>Case:</b>                      |                                       | Thermoplastic   |  |
| <b>Button:</b>                    |                                       | Thermoplastic   |  |
| <b>Terminals:</b>                 |                                       | Brass with gold over silver                                     |  |
| <b>Mounting Hardware:</b>         |                                       | Hex nut, lockwasher and/or panel gasket                         |  |

## LP9L PART NUMBER CODE



\* Button and case will be of the same texture.  
For all mixed gloss/matte combination options, contact factory.

\*\* 2V LED's are intended for use with an external resistor. See LED voltage chart in appendix for details on the approximate value of the resistor.

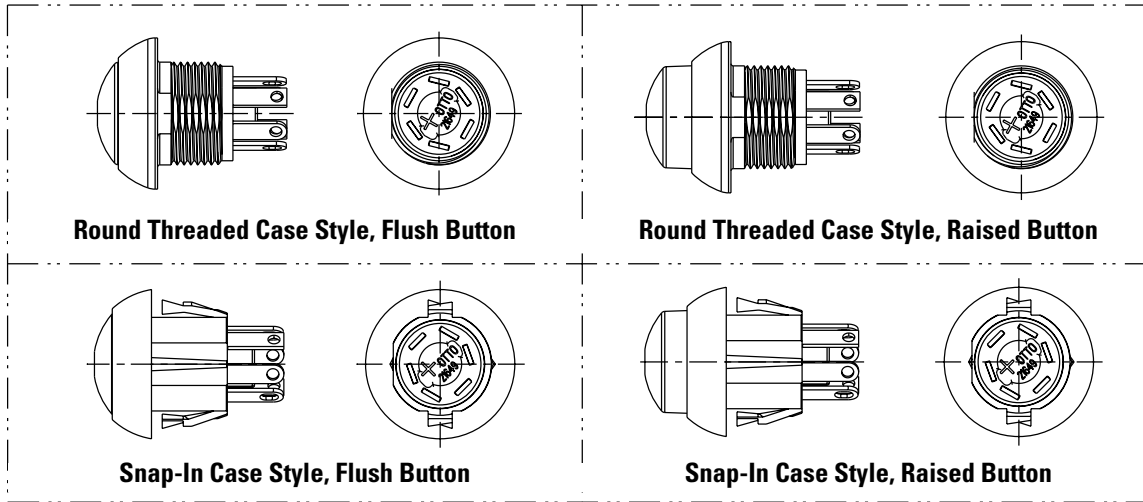
\*\*\* For minimum requirement, contact factory.

# ILLUMINATED SEALED DOME PUSHBUTTONS

LP9L

ILLUMINATED  
PUSHBUTTONS

MOMENTARY ACTION COMMERCIAL GRADE LED ILLUMINATED & WATERTIGHT SEALED

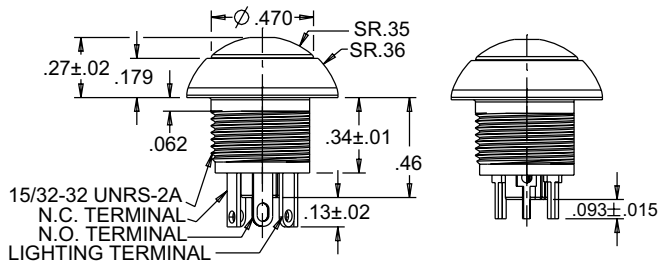


Standard Terminals

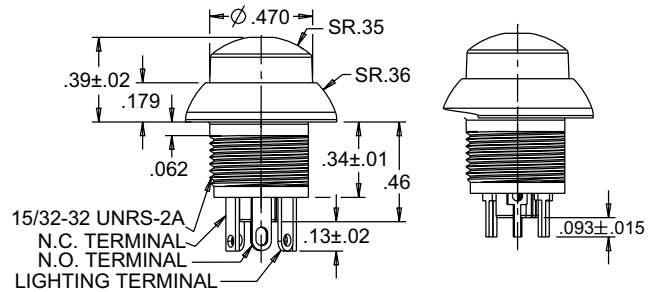
P.C. Terminals

Standard Terminals

P.C. Terminals



FLUSH BUTTON ROUND THREADED



RAISED BUTTON ROUND THREADED

