

T8-T TACTILE MINI TRIM

8-WAY MOMENTARY TOGGLE WITH TACTILE RESPONSE

Tactile switches remain a favorite among design engineers because the positive detent indicates circuit transfer to the operator. The T8-T toggle switch provides an 8-way momentary toggle action with detent providing a positive click action. The T8-T series provides Commercial and Military grade switching with a positive click action, ideal for grip applications in aircraft and off-road equipment.

Features:

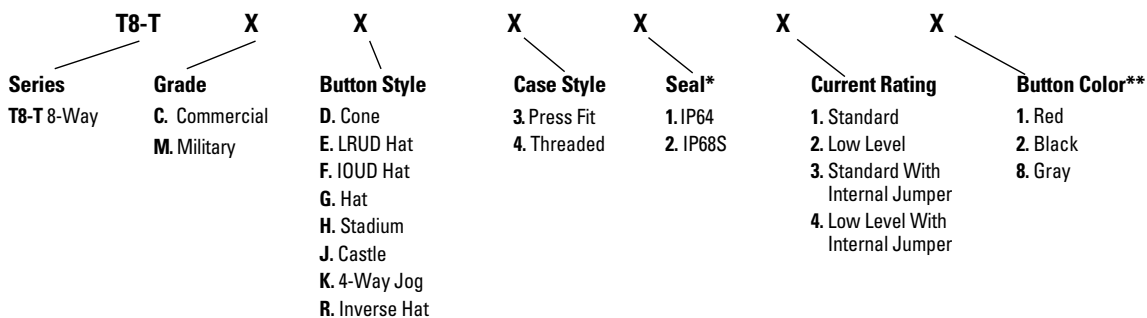
- Positive detent
- 8-way momentary toggle action
- Positive click action
- Low level switching option
- Available in Commercial & Military grades
- Variety of button styles & colors available
- RoHS/WEEE/Reach compliant
- IP64 or IP68S options (panel seal)



Castle Button Style

Standard Characteristics/Ratings:	
ELECTRICAL RATINGS:	
Load	Sea Level @ 28VDC
Resistive	2A
Inductive	1A
DWV	1000Vrms
Low Level	10mA @ 30mV
Electrical Life:	30,000 cycles
Mechanical Life:	150,000 cycles
Seal:	IP64 or IP68S
Operating Temp Range:	-55°C to +85°C
Operating Force:	0.75 lb. +/- 0.25 lb.
Overtravel:	1.5° min
Pretravel:	9.5° max
Return Point:	3.5° min
MATERIALS:	
Case:	Thermoplastic
Button:	Thermoplastic
Terminals:	Beryllium copper or brass Gold over silver for low level
Mounting Hardware:	None provided

T8-T PART NUMBER CODE

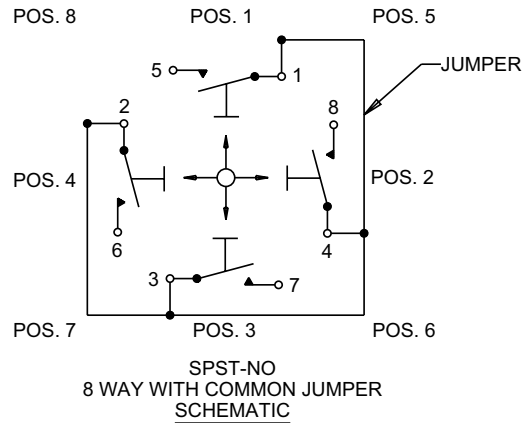
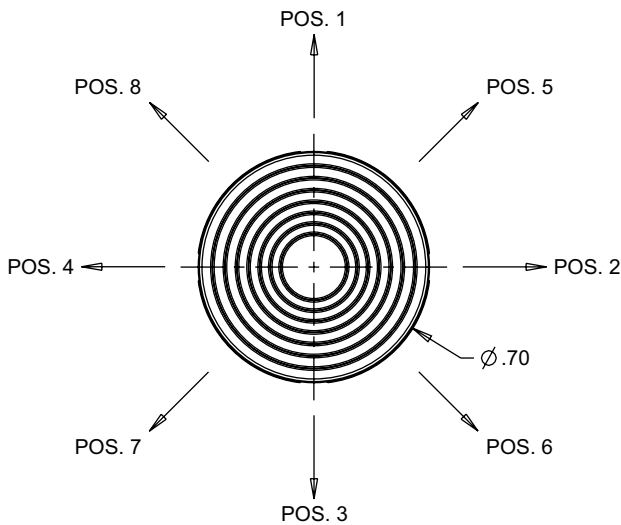
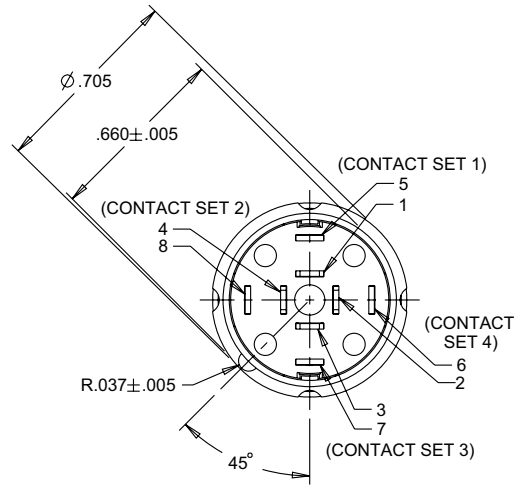
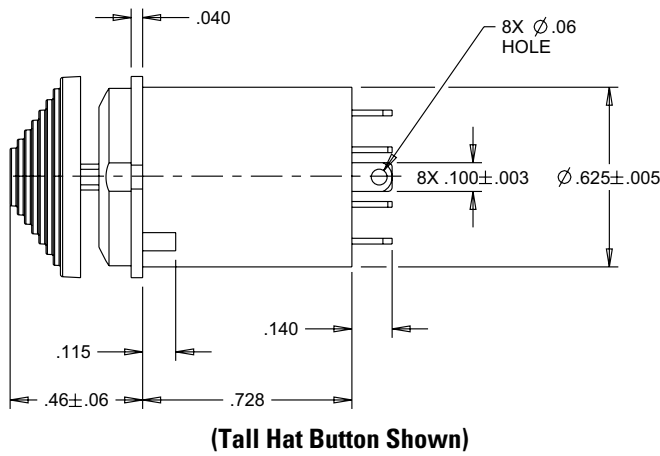


* Panel seal only

** Contact factory for additional colors.

T8-T TACTILE MINI TRIM

8-WAY MOMENTARY TOGGLE WITH TACTILE RESPONSE



BUTTON POSITION/SWITCH ACTION (ALL MOMENTARY CONTACTS - ALL OTHER CONTACT SETS NOT SHOWN ARE OPEN)				
BUTTON POSITION	CONTACT SET 1	CONTACT SET 2	CONTACT SET 3	CONTACT SET 4
1	5 ○ —> ● —○ 1			
2		8 ○ —> ● —○ 4		
3			7 ○ —> ● —○ 3	
4				6 ○ —> ● —○ 2
5	5 ○ —> ● —○ 1	8 ○ —> ● —○ 4		
6		8 ○ —> ● —○ 4	7 ○ —> ● —○ 3	
7			7 ○ —> ● —○ 3	6 ○ —> ● —○ 2
8	5 ○ —> ● —○ 1			6 ○ —> ● —○ 2

