

## HEAVY EQUIPMENT & MATERIAL HANDLING GRIPS

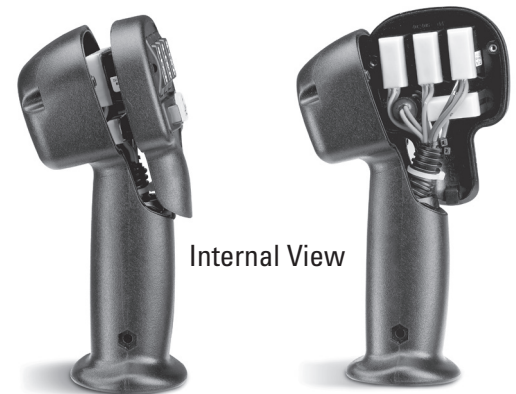
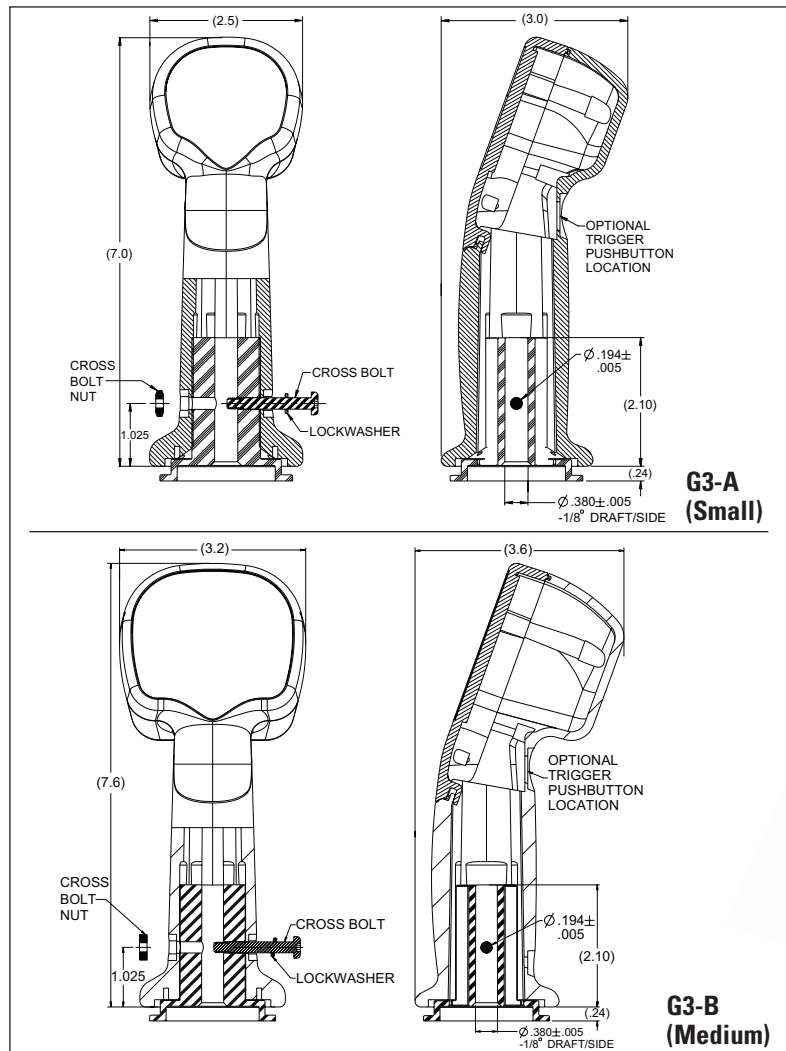
The G3 Universal Grips can be customized for top-of-the-line machines requiring high switch content, or to provide only basic control functions on lower tier units. The OTTO G3 Universal Grips have a modular design and were developed for use with OTTO's standard pushbuttons, rockers, toggles, Hall effect switches and the JH and JHM series Hall effect joystick. Both the Small Universal Grip and the Medium Universal Grip are easily customized with multiple switch configurations, quickly and without tooling charges.

- **Modular design eliminates the need for tooling charges**
- **Compatible with the OTTO JH and JHM series Hall effect Joysticks**
- **Small & medium sizes available**
- **Accommodates a full line of pushbutton, rocker, toggle, HP Hall effect & HPL proportional output series of switches**
- **Various mounting & termination options available**
- **Includes mounting adapter with boot ring**



Small Universal Grip Shown Unpopulated and with Pushbutton and Rocker Switches

Medium Universal Grip Shown with Pushbutton and Rocker Switches



Internal View



Custom Mounting Adapters Available



Custom Terminations Available

HEAVY EQUIPMENT & MATERIAL HANDLING GRIPS

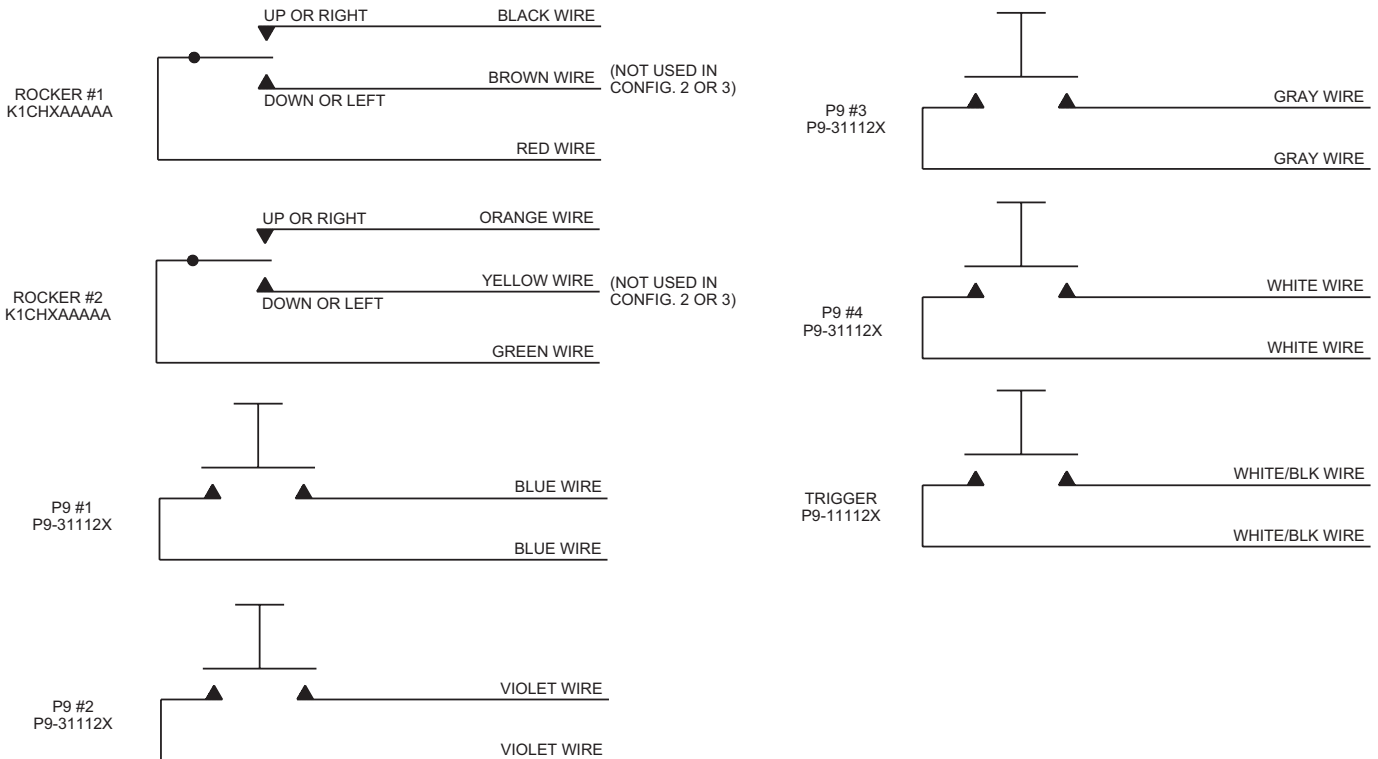
## SMALL UNIVERSAL GRIPS

### G3-A PART NUMBER CODE

G3-A	X	XX	X	X	X	X	X	X	X
Configuration	Switches	Trigger Pushbutton in Handle	K1 Rocker #1 Style - Black *	K1 Rocker #1 Style - Black *	K1 Rocker #2 Style - Black *	P9 Button #1 Color	P9 Button #2 Color	P9 Button #3 Color	P9 Button #4 Color
1. Grip Only	See Configuration Sheet on page 31	1. None 2. Black 3. Red	1. None 2. On-Off 3. (On)-Off 4. On-Off-On 5. (On)-Off-(On)	1. None 2. On-Off 3. (On)-Off 4. On-Off-On 5. (On)-Off-(On)	1. None 2. On-Off 3. (On)-Off 4. On-Off-On 5. (On)-Off-(On)	N. None 1. Red 2. Black 3. Orange 4. Yellow 5. Green 6. Blue 7. Violet 8. Gray 9. White	N. None 1. Red 2. Black 3. Orange 4. Yellow 5. Green 6. Blue 7. Violet 8. Gray 9. White	N. None 1. Red 2. Black 3. Orange 4. Yellow 5. Green 6. Blue 7. Violet 8. Gray 9. White	N. None 1. Red 2. Black 3. Orange 4. Yellow 5. Green 6. Blue 7. Violet 8. Gray 9. White

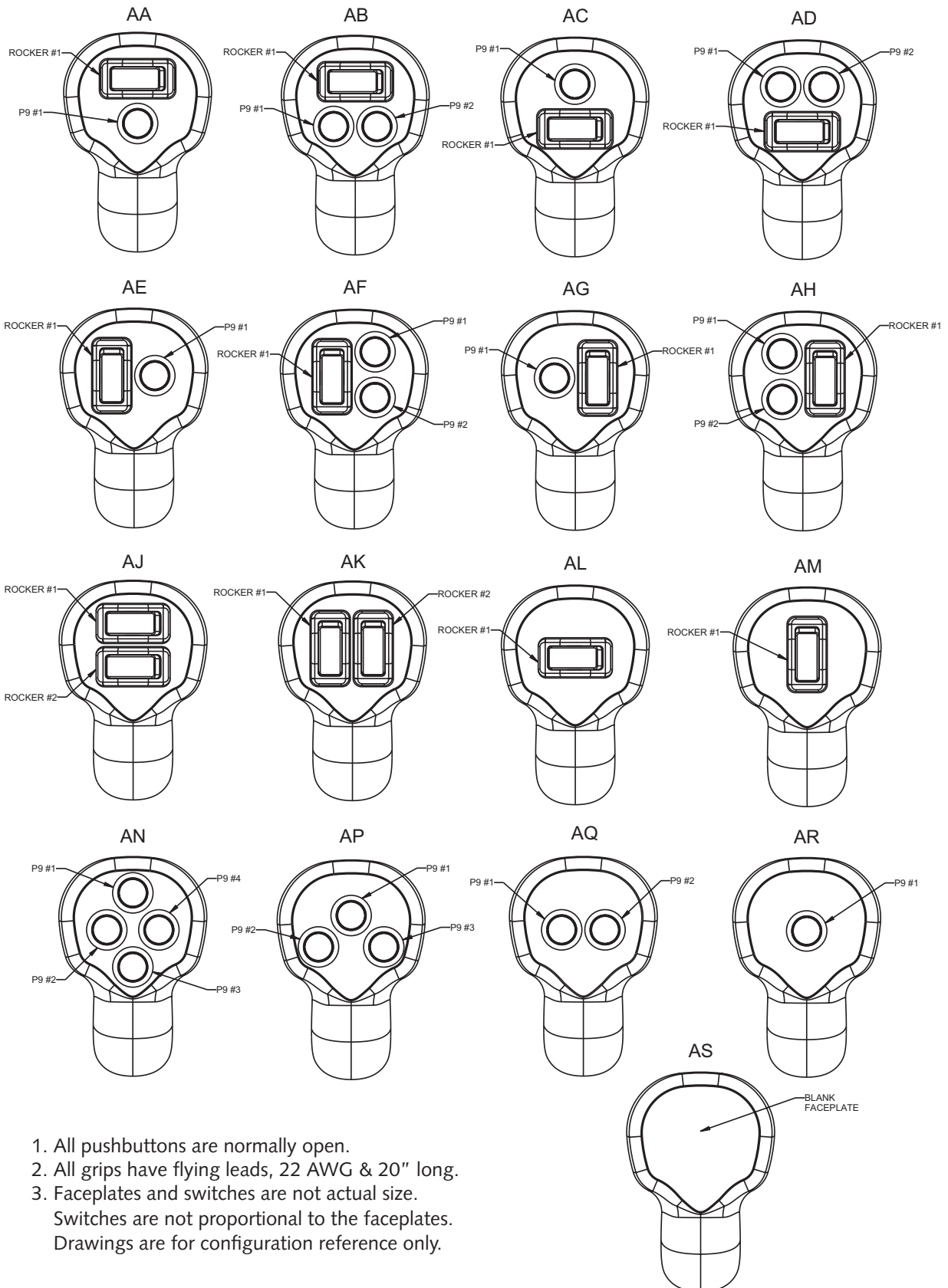
\* ( ) denotes momentary. On position or momentary position is up or to the right. Contact factory for rocker legends and additional color options.

## G3-A SMALL UNIVERSAL GRIPS SCHEMATICS



HEAVY EQUIPMENT AND MATERIAL HANDLING GRIPS

## SMALL UNIVERSAL GRIPS SWITCH CONFIGURATIONS



1. All pushbuttons are normally open.
2. All grips have flying leads, 22 AWG & 20" long.
3. Faceplates and switches are not actual size.  
Switches are not proportional to the faceplates.  
Drawings are for configuration reference only.